

INDIGO COMMUNITY
DEVELOPMENT DISTRICT

OCTOBER 24, 2018

AGENDA PACKAGE

Indigo

Community Development District

475 West Town Place, Suite 114, St. Augustine, Florida 32092

Phone: 904-940-5850 - Fax: 904-940-5899

October 17, 2018

Board of Supervisors
Indigo Community
Development District

Dear Board Members:

The regular meeting of the Indigo Community Development District will be held Wednesday, October 24, 2018 at 1:00 p.m. at the Holiday Inn Daytona Beach LPGA Blvd., Boardroom, 137 Automall Circle, Daytona Beach, Florida 32124. Following is the advance agenda for the meeting:

- I. Roll Call
- II. Audience Comments (Limited to 3 minutes per person)
- III. Approval of the Minutes of the October 2, 2018 Meeting
- IV. Staff Reports
 - A. Attorney
 - B. Engineer
 - C. Manager
 - D. Field Operations Manager – Review of Entrance Signage
- V. Supervisors' Request and Audience Comments (Limited to 3 minutes per person)
- VI. Approval of Check Register
- VII. Financial Statements as of September 30, 2018
- VIII. Other Business
- IX. Next Scheduled Meeting – November 28, 2018 at 1:00 p.m. at the Holiday Inn
- X. Adjournment

Enclosed under the third order of business is a copy of the minutes of the October 2, 2018 meeting for your review and approval.

Enclosed are the check register and financial statements.

The balance of the agenda is routine in nature and staff will give their reports at the meeting. In the meantime if you have any questions, please contact me.

Sincerely,

James Perry

James A. Perry
District Manager

AGENDA

Indigo
Community Development District
Agenda

Wednesday
October 24, 2018
1:00 p.m.

Holiday Inn Daytona Beach LPGA Blvd.
137 Automall Circle
Daytona Beach, Florida 32124
Call In # 1-800-264-8432 Code 752807
www.indigocdd.com

- I. Roll Call
- II. Audience Comments (Limited to 3 minutes per person)
- III. Approval of the Minutes of the October 2, 2018 Meeting
- IV. Staff Reports
 - A. Attorney
 - B. Engineer
 - C. Manager
 - D. Field Operations Manager – Review of Entrance Signage
- V. Supervisors’ Request and Audience Comments (Limited to 3 minutes per person)
- VI. Approval of Check Register
- VII. Financial Statements as of September 30, 2018
- VIII. Other Business
- IX. Next Scheduled Meeting – November 28, 2018 at 1:00 p.m. at the Holiday Inn
- X. Adjournment

MINUTES

INDIGO
COMMUNITY DEVELOPMENT DISTRICT

The regular meeting of the Board of Supervisors of the Indigo Community Development District was held Wednesday, October 2, 2018 at 11:00 a.m. in the Holiday Inn Daytona Beach LPGA Boulevard, Ballroom, 137 Automall Circle, Daytona Beach, Florida.

Present and constituting a quorum were:

Thomas G. Leek	Chairman
Robert E. Welsh	Vice Chairman
John McCarthy	Assistant Secretary
Donald Parks	Assistant Secretary
Mark McCommon	Assistant secretary

Also Present were:

James Perry	District Manager
Katie Buchanan	District Counsel
Kurt von der Osten	Field Operations Manager
Jayne Rountree	Team Rountree
Jamie Rountree	Team Rountree
Ken Artin	Bryant Miller Olive
George Leone	American SW 30/32 Investments LLC
Andre Vidrene	American SW 30/32 Investments LLC

FIRST ORDER OF BUSINESS

Roll Call

Mr. Perry called the meeting to order at 11:00 a.m. and called the roll.

SECOND ORDER OF BUSINESS

Audience Comments

There being none, the next item followed.

THIRD ORDER OF BUSINESS

Approval of the Minutes of the August 22, 2018 Meeting

Mr. Leek stated on page 10 there is a statement that was attributed to me but that is not what I said and we can leave it I don't think it is material. I don't advocate us having final approval on their sign. I think we should get a look at their final design but not necessarily approval.

Mr. McCarthy stated I thought it was our sign. I think we should have final approval on our sign.

Mr. McCommon stated we wanted to see the final proof before production and it wasn't what we saw that day. It was a mockup of a couple different designs.

Mr. Perry asked do you have that with you today?

Mr. von der Osten responded no, the last update I have is it is in design revision.

Mr. Leek stated let's add that to the old business portion of the agenda and we can clarify what it is.

On MOTION by Mr. Parks seconded by Mr. McCarthy with all in favor the minutes of the August 22, 2018 meeting were approved as presented.
--

FOURTH ORDER OF BUSINESS

Consideration of Settlement Proposal Related to Parcels SW 30 and 32

Ms. Buchanan stated if the board is open to it I suggest we turn it over to the landowner and their lawyer to explain the proposed terms of the deal.

Mr. Artin stated I represent American Southwest 30, LLC, the new landowners and I have been working with Jim and Katie and the district. There have been a number of landowners, a number of settlement offers and today both George Leone and Andre Vidrene, who are the principals in the company are here to answer questions. One of the things we have to do is we have to clean up house and that involves addressing the concerns with respect to the number of units on the two parcels and he owes the back taxes dealing with past due O&M going forward. The settlement agreement was prepared between the district, landowner, the bond trustee. The bond trustee actually represents the bondholders and we have been working closely with representatives of the bondholders, Lerner Advisors. I have worked on a number of workouts around the state, I have worked with them a number of times and the bondholders brought them in to look at the deals from a real estate standpoint for fairness and one thing you will find is that Oppenheimer, Wells Fargo are not real estate developers so they have to rely on somebody and they brought in Lerner Advisors as a third party.

From your standpoint the settlement agreement addresses two issues; one is in the past you have levied O&M assessments on the parcels and the conversation today is primarily going to be with respect to SW30. Parcel 4 or Parcel 32, based on estoppel letters we have gotten from

Jim's office, there is only about \$9,500 in past due O&M you will notice in the settlement agreement it is going to be paid so there is no issue there. The real issue is the O&M from years past. You will note that in the estoppel letters we received from the district O&M has varied over the years. Very early on there was about a \$5,000 assessment for O&M against parcel 30 then it spiked and years 12, 13, and 14 about \$149,000 and currently it is about \$70,000. The settlement offer is to make good with the current budget for O&M on SW30 and going forward based on the final unit count and as you know you have a two-tier structure. Until the land is platted based on the number of units the O&M assessment is \$104. Once it is platted all homeowners pay the same and that number is \$383. Once they are platted there are no concessions being asked we are going to pay just like any other homeowner. Going back to the early years the settlement agreement is asking for basically the waiver of the past due amounts and it amounts to about \$450,000 of past due O&M. One thing to keep in mind since you put the O&M on the tax rolls and you have been collecting O&M, you have been collecting on the higher unit count, which has been 681 and we are going to talk about that going forward. Based on what we know now and what we are going to be getting into we think the unit counts are going to be substantially below 681. If you take into account the fact that the assessments that you have been paid over the most current years have actually been based on the higher number, waiving the old \$149,000 number for the three years may not be that much of a sting given the fact that you have been collecting currently at a higher rate, but again that is what we are here today to talk about. We can't really talk about the past due amounts until you know what the bondholders are thinking with respect to future unit counts. We started negotiating with the bondholders as far as how much debt the two parcels can sustain. The amount of debt that a parcel can sustain is based on its unit count. Again, Parcel 4 is 64 units and the wild card is the unit count on SW30. Interestingly enough, no wetland delineation has ever been made on SW30. Nobody has ever attempted to walk the lines, no Army Corp has been asked to delineate the wetlands, the American Southwest 30 group has retained the consultants to actually get that process done. Our best guess right now with some preliminary walk through by our consultants, not the feds, we think that there is a development plan that would allow about 300 units on SW30. The bondholders, with the help of Lerner Advisors, believe if you increase the density and put in a more dense unit count the number could get as high as 400. The settlement agreement before you is we are going to concede to the higher unit count of 400 in order to get a

deal done to get the land under development, homes being built and roads being installed. In fact, if you look at the development plan of this particular project, one of the big features is the road that goes through SW30 and hooks up to the Dunn Avenue Extension and that is going to be a major east/west connector for the development. Going back to the unit count, one important feature about SW30 is the units that come off of the road and go north under the power line and there are units on the left and lower on the right hand side the power easement. That land is not accessible, it all wet and the amount you would have to spend to build a road up to those lots is prohibitive. You would never build homes up in the area. That is probably the number one reason the unit count is coming down substantially. These are not with any wetland delineation lines this is a best guess as far as the unit count but the density in the lower section would be where all the units are located when they get built on this property. We think the unit count is somewhere around 300 the bondholders are pushing for 400. We are willing to take that risk in fact what they are asking us to do is to commit to a true-up agreement, which is basically if we lose more units to the Army Corps or wetland delineation we take it on the chin and basically pay off anything less than the 400 units that we are going to be obligated to plat. Until we get platted there will be paid \$104 per unit, once we get the wetlands delineation process done and roads being built, units being developed all these platted lots go to the higher number, the 384 with respect to your O&M assessments.

The settlement agreement has gone to the bondholders they have sent it to Lerner and asked them for a fairness opinion on it and we are mildly enthusiastic that it is going to come back and they are going to stay around the 400 number based on the fact that Lerner was suggesting to us that the number is more appropriate at the 400 level than the 300. Hopefully, that is what they are going to be telling the bondholders for the unit count for SW30.

Ms. Buchanan stated to clean up the debt side, because I think that is more of a bondholder concern than a board concern, are we correct and understand that the reduction in units will have a correlating reduction in debt that the district has to repay, we are not going to have to reallocate this debt on some other property, correct?

Mr. Artin stated no, you are right. In 2014 when the 681 units were piled onto SW 30 that much debt was piled onto SW30 so when the bondholders agree to reduce it to the 400 units they are taking a write-off on their debt. This isn't moving anymore, this is it, they want to see this land developed.

Ms. Buchanan asked are there any questions on the debt side of things?

Mr. Leek asked have the bondholders agreed at this point?

Mr. Artin responded they are reviewing the settlement agreement. The last communication I had was they are still going back and forth with Lerner Advisors and we expect to hear back from them in the next week or so. We put no deadline on them we just want to be able to give everybody an appropriate amount of time to make their decisions.

Mr. Leek stated I suggest that anything we do today should be subject to and follow what the bondholders do. We can agree to something in principle.

Mr. Artin stated the bondholders are deferring to you and it is absolutely your decision on the past due O&M. That decision does need to be made by the board and as far as the unit count goes I agree, I need both the board and bondholders to be in sync but as Katie pointed out when they agree to the unit count they are taking a haircut on the debt assessments and you will be getting the O&M based on the new unit count. We are not asking for any adjustment for this year's O&M, which you set in the last couple of meetings and you will collect based on the higher unit counts.

Ms. Buchanan stated I think what you are saying is that any approval you give will be contingent on approval by the bondholders. You are not going to waive anything unless the deal goes through.

Mr. Artin stated it is a settlement agreement and everybody has to be in agreement.

Mr. McCommon there is \$450,000 past due.

Mr. Perry stated plus interest on that.

Mr. McCommon stated in our last settlement agreement we agreed to waive interest and penalties, but we received the past due amount. We are being asked to waive the past due amount completely. I understand we received funds from the tax purchases but I'm not in agreement to waive 100% of the past due.

Mr. Artin stated one thing to keep in mind is I represented Cardinal and the 11 parcels they own, there is a big difference between what they were looking at with respect to how to develop the 11 parcels that they acquired through the tax deed, this site given the wetness of it the cost to develop it is extremely high. In addition to this there is \$192,000 of back taxes that have to be paid, there is no transportation impact benefit, we have to pay those mitigation fees, which are \$3,000 per lot so what we are trying to do is put together a package, dismissing the

past sins everybody knows the history on these lots and what we are trying to do is get to the point where homes can be built and these parcels get developed once and for all. They have sat way too long.

Mr. Leek stated on the revenue side Katie and I have had a number of conversations over the past week or so and when you look at the 681 units we are currently billing at \$104 when you plat 381 or whatever the number is and increase that per unit assessment we actually gain more revenue than we are getting now.

Mr. McCommon asked are we increasing the assessment?

Mr. Perry stated no, there is no platting right now.

Mr. McCommon asked is it something above the \$104?

Mr. Artin stated the minute we plat you go to \$384.

Mr. Leek asked when do you plan to plat?

Mr. Artin responded as soon as the wetlands are delineated. The Army Corps is four or five weeks out, they have to walk the lines. We are in the process of getting everything to the point of development we are not buying and holding this dirt.

Mr. Leek stated the net revenue to us is going to be greater than it is today even though it is not going to be as high as we would have expected. Leaving the past due aside for the moment, going forward the additional revenue to the district is going to be much better than it is today.

Mr. McCarthy stated right now we don't really have any expense for those areas so down the road it won't be total revenue.

Mr. Leek stated I'm not talking net, just revenue.

Mr. Welsh stated I'm not in total agreement on the past due.

Mr. McCarthy asked how many years does that encompass?

Mr. Perry responded fiscal year 2012 it was \$149,000, the same for fiscal year 2013 and in fiscal year 2014 it went down to \$148,000. Those are the three major years.

Mr. McCarthy stated that was after we changed it.

Mr. Perry responded no, in fiscal year 2011 they were assessed \$5,500 and at that time there was a minimal amount of units that were assigned to that area. Then we undertook the review with ETM and house review and went to an acreage basis because we knew there were

substantially more units than a dozen or whatever the number was in 2011. For 2012 and 2013 it was done on an acreage basis until the report was issued in 2014 then we went on a unit basis.

Mr. Leek asked how much is the difference between the acreage basis and unit basis?

Mr. Perry responded it went from \$148,000 down to \$87,000.

Mr. Leek stated there are two ways to look at it, one way is our acreage assessment was too high, which it appears it was once we got the study and one way to look at it is maybe we over billed for those years by the difference, if you want to look at it that way, it is not that way on the books.

Mr. McCarthy stated in the interest of this property the incentive for place and time, development is pretty high here. I don't particularly like giving up \$50,000 but in the interest of moving it along maybe compromise on the \$400,000.

Mr. Leek stated it seems like it would be an attractive offer. I don't think there is much difference if we give them those adjustments we just discussed.

Mr. Perry stated what I did and this is pretty rough but I looked at the years that were unpaid and adjusted them for the 464 units saying if you had built them at that time how much over assessed were you and then I did the same for years 15 through 19 to show what was assessments on those parcels and what the over collections would have been and I came up with a delta of about \$240,000 or so and does not include interest or anything. That would say that over the course since 2012 until now based upon what the assessments should have been and what your clients paid there is about a \$240,000 delta. I didn't take adjustments for the interest that we received on the tax certificates, that is another factor.

Mr. Leek stated it sounds like we would be forgiving \$250,000 of past due O&M. Had we had the same numbers we had today we would be forfeiting \$250,000.

Mr. Artin stated based on the 464.

Mr. McCarthy stated roughly between \$200,000 and \$250,000.

Mr. Leek stated I think we kind of set the precedent in the past of waiving the penalties and interest and I think we would all be willing to do that again. The question becomes do we want to waive the \$200,000+ from days gone by and let this thing get started and get the neighborhood built back up or do we want additional funds towards that or all of that or what.

Mr. McCommon stated I see both sides and I'm concerned that we are setting a precedent if we were to accept nothing that we have other lots that are also still for sale and are we going to say no to them when they make the same request.

Mr. Leek stated I think the logic is we had a significant adjustment in the number of units.

Mr. McCommon stated even if you make an adjustment it is still a substantial amount of money and whatever the true number happens to be when we are likely to have someone coming to us for NW 21 or whatever else is still out there it is going to be public record that we agreed to waive it. My concern is we got a full settlement offer from the prior sales, I'm willing to concede that there may have been an error and the number should be \$450,000 it should be \$175,000 or whatever. I'm struggling to accept nothing. I would like to see the lots developed and this moving forward, but we might want to look at what else we could potentially be giving up with future purchases. We are talking about \$200,000 but we might be talking about a lot more with other parcels.

Mr. McCarthy asked how many other parcels potentially do we have for sale?

Mr. McCommon stated NW 21, that is the clubhouse and there are a couple smaller parcels.

Mr. Artin stated these are the key parcels with respect to the road that has to be built out. That is one big feature unfortunately it is a very expensive feature. What is the cost per foot on that road?

Mr. Leone responded I saw a projection that is a \$4 million road.

Mr. McCommon stated who is paying for that besides the owner?

Mr. Leone stated we are dedicating that to the county. I am trying to create a situation that is a win/win for everybody. I understand the precedent you don't want to set and I think there is a way with the history this has had and how there maybe was justification at the time but we can't quite figure out what that was and there is some sort of rebalancing that needs to be made on the unit counts. Potentially there is an avenue for us to go that direction where you are not setting a precedent and we can look at the history and say if this plan was implemented back then what would that look like and also we are trying to figure out a way where you are not in a situation where you are re-budgeting because your revenue goes down but the revenue will continue to go up because we are going to get this project developed, we are going to get it

platted. What I'm hearing is maybe we can put something forward to you that helps you with the situation.

Mr. McCommon stated I am willing to concede that \$450,000 is not the right number but I don't see myself agreeing to waive it in full. I prefer we receive some count from you about what you are willing to offer and outside that I am comfortable with everything else.

Mr. McCarthy asked can you go back and rethink it and relook at it and recalculate it and come back with an offer?

Mr. Perry stated I will share with them my spreadsheet on this, which basically takes it back to 464 units and if that is what we assessed each year it would have been this amount and this is what they have already paid and netted it out.

Mr. Welsh asked can you get back to us by the 24th?

Mr. Leone stated we don't want to drag it out.

Ms. Buchanan stated you don't want to wait that long.

Mr. Artin stated as soon as we hear from the bondholders we want to make a deal.

Ms. Buchanan stated we can do a two week continuance. Perhaps we pick a continued meeting date between now and our next regular board meeting and if we don't have numbers in place we can cancel that meeting.

Mr. von der Osten stated you might want to consider you are not looking at a percentage on each parcel if you reduce these 25% the next parcel is going to ask to be reduced 25%. I think it is totally dependent on the Army Corps and wetland lines of what can go in those parcels and that is going to be what ultimately drives your decision on any reduction. It can vary parcel to parcel.

Mr. Leek stated that is our logic. We are not really setting a precedent unless the precedent is get the Army Corps to review your property.

Mr. von der Osten stated the overall development plan for the southwest ties into the existing development and if you want to look at the community cohesively there is some type of continuity in the development in the original road plans you might want to discuss this because the 2005 bonds while they do not include the southwest parcel did have a long term road network and some of it might have changed when the DRI was rescinded but part of the arterial roads extend through the southwest.

FIFTH ORDER OF BUSINESS

Consideration of Proposal from VGlobalTech for ADA Website Accessibility

Mr. Perry stated we have to adjust our websites for ADA compliance and we are doing this throughout the state. It is a one-time cost of \$2,250 and an annual cost of \$1,350.

On MOTION by Mr. Parks seconded by Mr. McCarthy with all in favor the proposal from VGlobalTech for ADA website accessibility was approved.

SIXTH ORDER OF BUSINESS

Staff Reports

A. Attorney

There being none, the next item followed.

B. Engineer

There being none, the next item followed.

C. Manager

There being none, the next item followed.

D. Field Operational Manager

Mr. von der Osten stated at two entrances, International Golf Drive and Champions we are having a lot of trouble electrically again. A lot of it has to do with switch panels, circuit panels and the existing lights. We never upgraded the lighting at the entrances, we did LED at the trees and landscaping all along the main roads. We currently have a mixture of lights, incandescent, halogen, quartz on those and many have failed, many don't even come on. That is causing problems throughout the system. We need to consider a full replacement of all the lights at the entrances, switch panels and breaker panels. They are filling with water, they are tripping the breakers for the fountains, for the other lights and has a ripple effect throughout the system. The proposal I currently have for fountains 1, 2, 3, 4, the fountains are numbered from the interstate down around the corner and each entry monument is also the same. To rebuild lights and panels it is between \$20,000 and \$25,000. I just want to make you aware that I will be coming back to the next meeting with more information.

Mr. Leek stated I think that is more what we meant and as far as what my comment was in the minutes I don't think I said we wanted approval because I never did but that is okay. Let these minutes reflect we would like review.

Mr. Perry stated to recap where we think we are today based upon the presentation and so forth I will provide them some worksheets, which will have the current one at 464 units and we will adjust it to 400 units so you will understand if we had restated the assessments over the last several years at those two levels what they would have been and what they currently pay and that delta would be the maximum you would forgive if you forgave anything. I will work with them to provide that to them and they can use that in their planning to provide the board an alternative payment.

Mr. McCommon asked since there is going to be another entrance are we going to need to put in walls and fountains and lighting?

Mr. Perry responded typically, they are going to do that and it will be turned over to the district or it will be run by the HOA.

Mr. von der Osten stated something to consider is that it matches the other three entrances.

Mr. Leek stated the folks that own the parcel closest to Champions, who is it?

Mr. von der Osten stated it is under several names but it is Cardinal, they own all the parcels in the 2005 bonds and 2009 bonds. The southwest quadrant bordered by the FP&L easement there was never any real research performed on that property. There is a lot of information and development plans on the yellow parcels.

Mr. Leek asked have you seen the development plans for that parcel that comes closes to Champions Drive?

Mr. von der Osten stated it was originally platted and engineered but the plat was not recorded it is fully engineered and probably \$500,000 spent on clearing and filling before the crash. The connector road is fully designed, engineered and approved by the city.

Mr. Leek asked do we know how close Cardinal is to developing that section?

Mr. von der Osten stated I do not.

Mr. Perry stated that road was extremely expensive.

Mr. von der Osten stated a huge portion of it was to be funded out of the 2005 bonds, which no longer exist.

Mr. Leek stated I'm interested in when they will be building in there and when that connection could be made between the north and south.

Mr. von der Osten stated I would think it is very far along development-wise, blow the dust off it.

ELEVENTH ORDER OF BUSINESS

**Next Scheduled Meeting – October 24, 2018
at 1:00 p.m. @ Holiday Inn**

On MOTION by Mr. McCarthy seconded by Mr. Welsh with all in favor the meeting was continued to Tuesday, October 9, 2018 at 1:00 p.m. in the same location.

Secretary/Assistant Secretary

Chairman/Vice Chairman

SIXTH ORDER OF BUSINESS

Indigo Community Development District

Summary of Invoices

September 22, 2018 to October 17, 2018

Fund	Date	Check No.'s	Amount
General Fund	9/27/18	4315-4318	\$ 24,305.71
	10/5/18	4319-4322	\$ 62,720.81
	10/16/18	4323-4326	\$ 24,761.11
			\$ 111,787.63
Payroll	<u>October 2, 2018</u>		
	Donald Parks	50482	\$ 184.70
	John McCarthy	50483	\$ 184.70
	Mark McCommon	50484	\$ 159.70
	Robert Welsh	50485	\$ 164.70
	Thomas Leek	50486	\$ 184.70
			\$ 878.50
	<u>October 9, 2018</u>		
	Donald Parks	50487	\$ 184.70
	John McCarthy	50488	\$ 184.70
Mark McCommon	50489	\$ 159.70	
Robert Welsh	50490	\$ 164.70	
Thomas Leek	50491	\$ 184.70	
		\$ 878.50	
			\$ 113,544.63

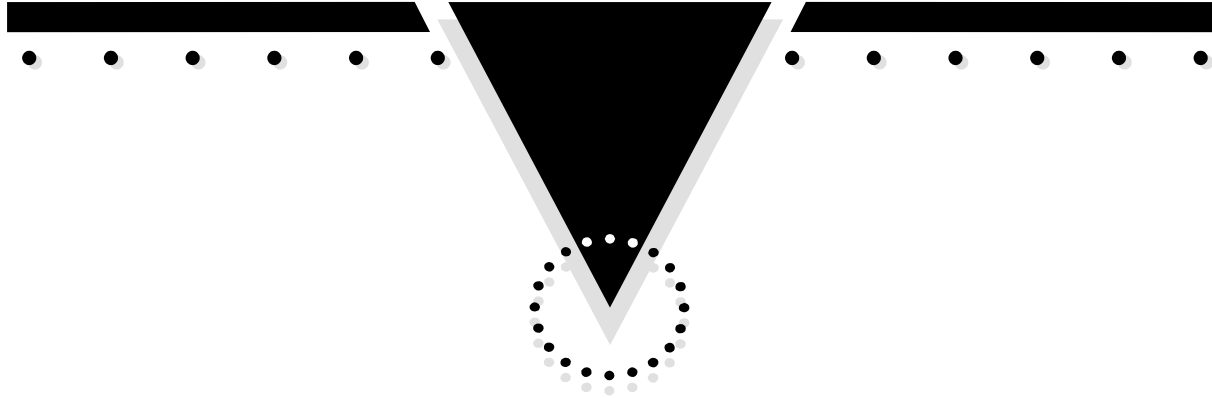
CHECK DATE	VEND#	INVOICE DATE	INVOICE	EXPENSED TO YRMO	DPT	ACCT#	SUB	SUBCLASS	VENDOR NAME	STATUS	AMOUNT	CHECK AMOUNT	CHECK #
9/27/18	00137	9/25/18	8019	201809	300	15500	10000			*	11,068.00		
									FY19 PROPERTY INSURANCE				
		9/25/18	8019	201809	300	15500	10000			*	7,319.00		
									FY19 GEN.LIAB/PUBLIC OFFC				
									EGIS INSURANCE ADVISORS, LLC			18,387.00	004315
9/27/18	00017	9/12/18	I0230289	201809	310	51300	48000			*	252.51		
									NOT.OF FY19 MEETING DATES				
		9/19/18	I0230335	201809	310	51300	48000			*	210.78		
									NOT.OF MEETING 9/26/18				
									NEWS-JOURNAL CORPORATION			463.29	004316
9/27/18	00010	9/26/18	102908	201808	310	51300	31500			*	1,479.00		
									SETTLE.AGREE/REV.PROP/ADA				
		9/26/18	102909	201808	310	51300	31500			*	1,326.42		
									AGNDA/PREP/TRVL/ATTND MTG				
									HOPPING GREEN & SAMS			2,805.42	004317
9/27/18	00159	9/30/18	93018	201809	330	53800	12000			*	2,650.00		
									SITE MGMT SERVICES-SEP18				
									SOLARIS MANAGEMENT INC.			2,650.00	004318
10/05/18	00015	10/01/18	424278	201810	320	53800	46800			*	370.00		
									LAKE/WETLAND SRVCS OCT				
									AQUATIC SYSTEMS, INC.			370.00	004319
10/05/18	00093	9/20/18	187	201810	310	51300	31700			*	20,000.00		
									FY19 ASSESS.ADMIN.CERT.				
		10/01/18	188	201810	310	51300	34000			*	4,708.33		
									MANAGEMENT FEES OCT18				
		10/01/18	188	201810	310	51300	35100			*	233.33		
									INFORMATION TECH. OCT18				
		10/01/18	188	201810	310	51300	31300			*	250.00		
									DISSEMINATION SRVCS OCT18				
		10/01/18	188	201810	310	51300	51000			*	22.95		
									OFFICE SUPPLIES OCT18				
		10/01/18	188	201810	310	51300	42000			*	8.10		
									POSTAGE OCT18				
		10/01/18	188	201810	310	51300	42500			*	464.70		
									COPIES OCT18				
		10/01/18	188	201810	310	51300	41000			*	27.54		
									TELEPHONE OCT18				
									GOVERNMENTAL MANAGEMENT SERVICES			25,714.95	004320
10/05/18	00031	9/30/18	5432	201809	330	53800	46000			*	1,170.11		
									LPGA MTHLY MAINT/REPAIRS				

CHECK DATE	VEND#INVOICE..... DATE INVOICE	...EXPENSED TO... YRMO DPT ACCT# SUB	SUBCLASS	VENDOR NAME	STATUS	AMOUNTCHECK..... AMOUNT #	
		9/30/18 5432	201809 320-53800-46000		I-95 TSTING/RPLCING BULBS	*	45.00		
					SKY'S THE LIMIT HANDYMAN SVCS, INC.			1,215.11 004321	
10/05/18	00160	9/15/18 23286	201809 330-53800-46100		GRAND CHAMP/LPGA IRRIG.	*	2,943.75		
		10/02/18 23373	201809 330-53800-46200		SECOND INSTALL OF REVAMP	*	32,477.00		
					TEAM ROUNTREE, INC.			35,420.75 004322	
10/16/18	00165	10/09/18 953	201810 300-15500-10000		OFFICE LEASE NOV18	*	500.00		
					C.L.O. MANAGEMENT LLC			500.00 004323	
10/16/18	00005	10/02/18 6-324-57	201809 310-51300-42000		DELIVERY 09/25/18	*	83.76		
					FEDEX			83.76 004324	
10/16/18	00017	9/25/18 I0230415	201809 310-51300-48000		NOT.OF RESCHEDULED MTG.	*	206.35		
					NEWS-JOURNAL CORPORATION			206.35 004325	
10/16/18	00160	9/28/18 23379	201804 320-53800-63100		JASMINE PLANT REPLACEMENT	*	2,825.00		
		9/28/18 23379A	201805 320-53800-63100		MULCH/GROUND PLANT RPLC.	*	2,485.00		
		9/28/18 23379B	201809 320-53800-46100		IRRIGATION REPAIRS-SEP18	*	3,875.00		
		9/28/18 23380	201802 330-53800-63100		RPLC LUGUSTRUM/JUNIPER	*	1,545.00		
		9/28/18 23380A	201805 330-53800-49000		GRANDE CHAMP-PRESS.WASH.	*	450.00		
		9/28/18 23380B	201806 330-53800-46000		LAKE2-REPAIR WEIR/EROSION	*	1,786.00		
		9/28/18 23380B	201806 330-53800-46000		GC-REMOVE DEBRIS	*	2,160.00		
		9/28/18 23380C	201807 330-53800-63100		RPLC PALM/SAGO TREES	*	4,365.00		
		9/28/18 23380D	201809 330-53800-46600		EXTRA MOWING OF LAKE AREA	*	3,400.00		
		9/28/18 23380D	201809 330-53800-49000		PRESSURE WASH SIDEWALKS	*	1,080.00		
					TEAM ROUNTREE, INC.			23,971.00 004326	
TOTAL FOR BANK A							111,787.63		
INDI INDIGO					TVISCARRA				

CHECK DATE	VEND#INVOICE..... DATE INVOICE	...EXPENSED TO... YRMO DPT ACCT# SUB SUBCLASS	VENDOR NAME	STATUS	AMOUNTCHECK..... AMOUNT #
TOTAL FOR REGISTER						111,787.63	

INDI INDIGO TVISCARRA

SEVENTH ORDER OF BUSINESS



Indigo

Community Development District

Unaudited Financial Reporting
September 30, 2018



Indigo
Community Development District
 Combined Balance Sheet
 As of September 30, 2018

Assets	<u>Governmental Funds</u>			<u>Account Groups</u>		<u>Totals</u>
	<u>General</u>	<u>Debt Service</u>	<u>Capital Projects</u>	<u>General Fixed Assets</u>	<u>General Long-Term Debt</u>	(memorandum only) <u>2018</u>
Cash	\$330,187	---	---	---	---	\$330,187
Assessment Receivable	\$3,000	---	---	---	---	\$3,000
Prepaid Expenses	\$18,887	---	---	---	---	\$18,887
Investments						
Operating Account	\$2,647,285	---	---	---	---	\$2,647,285
Reserve Account	\$109,659	---	---	---	---	\$109,659
Series 1999A						
Reserve Account	---	\$80,675	---	---	---	\$80,675
Revenue Account	---	\$46,395	---	---	---	\$46,395
Construction	---	---	\$147,677	---	---	\$147,677
Series 1999C						
Reserve Account	---	\$59,586	---	---	---	\$59,586
Revenue Account	---	\$1,639,822	---	---	---	\$1,639,822
Redemption Account	---	\$339	---	---	---	\$339
Remedial Expenditure	---	\$0	---	---	---	\$0
Series 2005						
Reserve Account	---	\$58,507	---	---	---	\$58,507
Escrow Deposit Fund	---	\$9,570	---	---	---	\$9,570
Prepayment Account	---	\$1,978	---	---	---	\$1,978
Revenue Account	---	\$1,627,636	---	---	---	\$1,627,636
Remedial Expenditure	---	\$0	---	---	---	\$0
Fixed Assets	---	---	---	\$8,305,270	---	\$8,305,270
Amount Available/Long-Term Debt	---	---	---	---	\$3,524,508	\$3,524,508
Amount to be Provided/Long Term Debt 1999A	---	---	---	---	\$592,930	\$592,930
Amount to be Provided/Long Term Debt 1999C	---	---	---	---	\$4,960,253	\$4,960,253
Amount to be Provided/Long Term Debt 2005	---	---	---	---	\$4,272,309	\$4,272,309
Total Assets	\$3,109,017	\$3,524,508	\$147,677	\$8,305,270	\$13,350,000	\$28,436,472
Liabilities						
Accounts Payable	\$60,647	---	---	---	---	\$60,647
Accrued Principal Payment 1999C	---	\$400,000	---	---	---	\$400,000
Accrued Interest Payment 1999C	---	\$750,785	---	---	---	\$750,785
Accrued Principal Payment 2005	---	\$280,000	---	---	---	\$280,000
Accrued Interest Payment 2005	---	\$2,416,758	---	---	---	\$2,416,758
Bonds Payable 1999A	---	---	---	---	\$720,000	\$720,000
Bonds Payable 1999C	---	---	---	---	\$6,660,000	\$6,660,000
Bonds Payable 2005	---	---	---	---	\$5,970,000	\$5,970,000
Fund Equity, Other Credits						
Investments in General Fixed Assets	---	---	---	\$8,305,270	---	\$8,305,270
Fund Balances						
Restricted for Debt Service 1999A/B	---	\$127,070	---	---	---	\$127,070
Restricted for Debt Service 1999C	---	\$548,962	---	---	---	\$548,962
Restricted for Debt Service 2005	---	(\$999,067)	---	---	---	(\$999,067)
Restricted for Capital Projects 1999A/B	---	---	\$147,677	---	---	\$147,677
Assigned for General Fund	\$109,659	---	---	---	---	\$109,659
Unassigned General Fund	\$2,938,711	---	---	---	---	\$2,938,711
Total Liabilities, Fund Equity	\$3,109,017	\$3,524,508	\$147,677	\$8,305,270	\$13,350,000	\$28,436,472

INDIGO COMMUNITY DEVELOPMENT DISTRICT

GENERAL FUND

Statement of Revenues & Expenditures As of September 30, 2018

	General Fund Budget	Prorated Budget 9/30/18	Actual 9/30/18	Variance
--	------------------------	----------------------------	-------------------	----------

REVENUES:

Maintenance Assessments	\$989,768	\$989,768	\$1,014,240	\$24,472
Settlement Agreement	\$0	\$0	\$411,775	\$411,775
City of Daytona Funding	\$8,100	\$8,100	\$2,025	(\$6,075)
Interest Income	\$1,000	\$1,000	\$6,022	\$5,022

TOTAL REVENUES

	\$998,868	\$998,868	\$1,434,062	\$435,194
--	------------------	------------------	--------------------	------------------

EXPENDITURES:

ADMINISTRATIVE:

Supervisor Fees	\$12,000	\$12,000	\$7,000	\$5,000
FICA Expense	\$918	\$918	\$536	\$383
Engineering	\$5,000	\$5,000	\$0	\$5,000
Attorney	\$32,000	\$32,000	\$19,937	\$12,063
Annual Audit	\$4,900	\$4,900	\$4,900	\$0
Arbitrage	\$1,800	\$1,800	\$1,350	\$450
Trustee	\$3,800	\$3,800	\$3,717	\$83
Dissemination Agent	\$3,000	\$3,000	\$3,000	\$0
Special Assessment Roll Preparation	\$20,000	\$20,000	\$20,000	\$0
Management Fees	\$56,500	\$56,500	\$56,500	\$0
Information Technology	\$2,800	\$2,800	\$2,800	\$0
Telephone	\$300	\$300	\$170	\$130
Postage	\$1,500	\$1,500	\$902	\$598
Insurance	\$20,300	\$20,300	\$18,387	\$1,913
Printing & Binding	\$1,500	\$1,500	\$962	\$538
Legal Advertising	\$2,500	\$2,500	\$3,678	(\$1,178)
Other Current Charges	\$1,000	\$1,000	\$958	\$42
Office Supplies	\$350	\$350	\$207	\$143
Dues, Licenses, Subscriptions	\$175	\$175	\$175	\$0
Office Expense	\$6,000	\$6,000	\$6,000	\$0

TOTAL ADMINISTRATIVE

	\$176,343	\$176,343	\$151,179	\$25,164
--	------------------	------------------	------------------	-----------------

FIELD:

Operating Expenses I-95

Landscape Maintenance	\$50,400	\$50,400	\$51,420	(\$1,020)
Landscape Contingency	\$0	\$0	\$825	(\$825)
Irrigation Repairs & Maintenance	\$10,000	\$10,000	\$12,116	(\$2,116)
Mowing	\$8,100	\$8,100	\$0	\$8,100
Lakes	\$5,156	\$5,156	\$5,156	\$0
Plant Replacement & Annuals	\$8,000	\$8,000	\$5,410	\$2,590
Utilities	\$20,000	\$20,000	\$6,195	\$13,805
Repairs	\$5,000	\$5,000	\$9,277	(\$4,277)
Miscellaneous	\$2,000	\$2,000	\$1,447	\$553

Operating Expenses I-95

	\$108,656	\$108,656	\$91,846	\$16,810
--	------------------	------------------	-----------------	-----------------

INDIGO COMMUNITY DEVELOPMENT DISTRICT

GENERAL FUND Statement of Revenues & Expenditures

	General Fund Budget	Prorated Budget 9/30/18	Actual 9/30/18	Variance
<i>Operating Expenses Community Wide</i>				
Site Manager	\$31,800	\$31,800	\$31,800	\$0
Landscape Maintenance	\$462,084	\$462,084	\$451,361	\$10,723
Landscape Contingency	\$26,912	\$26,912	\$18,287	\$8,625
Irrigation Repairs & Maintenance	\$30,000	\$30,000	\$41,678	(\$11,678)
Lakes	\$37,212	\$37,212	\$37,212	\$0
Plant Replacement & Annuals	\$35,000	\$35,000	\$64,367	(\$29,367)
Utilities	\$45,000	\$45,000	\$33,999	\$11,001
Repairs	\$40,000	\$40,000	\$56,759	(\$16,759)
Stormwater System	\$3,750	\$3,750	\$0	\$3,750
Sidewalks	\$3,000	\$3,000	\$0	\$3,000
Street Lighting	\$15,972	\$15,972	\$0	\$15,972
Miscellaneous	\$15,000	\$15,000	\$12,644	\$2,356
Conservation Easement Maintenance	\$28,000	\$28,000	\$36,389	(\$8,389)
Tree Trimming	\$43,200	\$43,200	\$43,200	\$0
Operating Expenses Community Wide	\$816,930	\$816,930	\$827,695	(\$10,765)
TOTAL FIELD	\$925,586	\$925,586	\$919,542	\$6,044
TOTAL EXPENDITURES	\$1,101,929	\$1,101,929	\$1,070,721	\$31,208
EXCESS REVENUES/ (EXPENDITURES) AND OTHER SOURCES	(\$103,061)	----	\$363,341	----
FUND BALANCE - BEGINNING	\$103,061	----	\$2,685,029	----
FUND BALANCE - ENDING	\$0	----	\$3,048,370	----

**INDIGO
COMMUNITY DEVELOPMENT DISTRICT**

DEBT SERVICE FUND

Series 1999A

Statement of Revenues & Expenditures

As of September 30, 2018

	Debt Service Budget	Prorated Budget 9/30/18	Actual 9/30/18	Variance
<u>REVENUES:</u>				
Special Assessments	\$80,675	\$80,675	\$81,792	\$1,117
Interest Income	\$0	\$0	\$311	\$311
TOTAL REVENUES	\$80,675	\$80,675	\$82,103	\$1,428
<u>EXPENDITURES:</u>				
Interest Expense - 11/01	\$24,325	\$24,325	\$24,325	\$0
Principal Expense - 5/01	\$30,000	\$30,000	\$30,000	\$0
Interest Expense - 5/01	\$24,325	\$24,325	\$24,325	\$0
TOTAL EXPENDITURES	\$78,650	\$78,650	\$78,650	\$0
<u>OTHER SOURCES/(USES)</u>				
Other Debt Service Costs	\$0	\$0	\$0	\$0
TOTAL OTHER	\$0	\$0	\$0	\$0
EXCESS REVENUES/ (EXPENDITURES) AND OTHER SOURCES	\$2,025	----	\$3,453	----
FUND BALANCE - BEGINNING	\$41,464	----	\$123,617	----
FUND BALANCE - ENDING	\$43,489	----	\$127,070	----

Fund Balance Calculation

Reserve Account	\$80,675
Revenue Account	\$46,395
Total Series 1999A Funds Available	<u>\$127,070</u>

**INDIGO
COMMUNITY DEVELOPMENT DISTRICT**

**DEBT SERVICE FUND
Series 1999C**

Statement of Revenues & Expenditures
As of September 30, 2018

REVENUES:

	Debt Service Budget	Prorated Budget 9/30/18	Actual 9/30/18	Variance
Special Assessments - Tax Collector	\$301,980	\$301,980	\$308,813	\$6,833
Special Assessments - Prepayments	\$0	\$0	\$339	\$339
Settlement Agreement	\$0	\$0	\$1,562,544	\$1,562,544
Interest Income	\$0	\$0	\$2,896	\$2,896
TOTAL REVENUES	\$301,980	\$301,980	\$1,874,592	\$1,572,612

EXPENDITURES:

Debt Service Obligation	\$301,980	\$301,980	\$0	\$301,980
TOTAL EXPENDITURES	\$301,980	\$301,980	\$0	\$301,980

OTHER SOURCES/(USES)

Other Debt Service Costs	\$0	\$0	(\$29,810)	(\$29,810)
TOTAL OTHER	\$0	\$0	(\$29,810)	(\$29,810)
EXCESS REVENUES (EXPENDITURES) AND OTHER SOURCES	\$0	----	\$1,844,783	----
FUND BALANCE - BEGINNING	\$0	----	(\$1,295,821)	----
FUND BALANCE - ENDING	\$0	----	\$548,962	----

Fund Balance Calculation

Reserve Account	\$59,586
Revenue Account	\$1,639,822
Redemption Account	\$339
Remedial Expenditure	\$0
Accrued Interest Payable	(\$750,785)
Accrued Principal Payable	(\$400,000)
Total Series 1999C Funds Available	\$548,962

**INDIGO
COMMUNITY DEVELOPMENT DISTRICT**

DEBT SERVICE FUND

Series 2005

Statement of Revenues & Expenditures

As of September 30, 2018

	Debt Service Budget	Prorated Budget 9/30/18	Actual 9/30/18	Variance
<u>REVENUES:</u>				
Special Assessments - Tax Collector	\$87,804	\$87,804	\$82,020	(\$5,784)
Special Assessments - Prepayments	\$0	\$0	\$2,883	\$2,883
Settlement Agreement	\$0	\$0	\$1,268,988	\$1,268,988
Interest Income	\$0	\$0	\$14,476	\$14,476
TOTAL REVENUES	\$87,804	\$87,804	\$1,368,366	\$1,280,562
<u>EXPENDITURES:</u>				
Debt Service Obligation	\$87,804	\$87,804	\$0	\$87,804
Special Call - 6/15	\$0	\$0	\$875,000	(\$875,000)
TOTAL EXPENDITURES	\$87,804	\$87,804	\$875,000	(\$787,196)
<u>OTHER SOURCES/(USES)</u>				
Other Debt Service Costs	\$0	\$0	(\$41,509)	(\$41,509)
TOTAL OTHER	\$0	\$0	(\$41,509)	(\$41,509)
EXCESS REVENUES (EXPENDITURES) AND OTHER SOURCES	\$0	----	\$451,858	----
FUND BALANCE - BEGINNING	\$0	----	(\$1,450,924)	----
FUND BALANCE - ENDING	\$0	----	(\$999,067)	----

Fund Balance Calculation

Reserve Account	\$58,507
Escrow Deposit Fund	\$9,570
Prepayment Account	\$1,978
Revenue Account	\$1,627,636
Remedial Expenditure	\$0
Accrued Interest Payable	(\$2,416,758)
Accrued Principal Payable	(\$280,000)
Total Series 2005 Funds Available	(\$999,067)

INDIGO COMMUNITY DEVELOPMENT DISTRICT

CAPITAL PROJECTS FUND

Series 1999A

Statement of Revenues & Expenditures

As of September 30, 2018

	Capital Projects Budget	Prorated Budget 9/30/18	Actual 9/30/18	Variance
<u>REVENUES:</u>				
Interest Income	\$0	\$0	\$338	\$338
TOTAL REVENUES	\$0	\$0	\$338	\$338
<u>EXPENDITURES:</u>				
Capital Outlay	\$0	\$0	\$0	\$0
TOTAL EXPENDITURES	\$0	\$0	\$0	\$0
EXCESS REVENUES (EXPENDITURES)	\$0	\$0	\$338	\$338
FUND BALANCE - BEGINNING	\$0	----	\$147,339	----
FUND BALANCE - ENDING	\$0	----	\$147,677	----

INDIGO COMMUNITY DEVELOPMENT DISTRICT

Month to Month Income Statement FY2018

	October	November	December	January	February	March	April	May	June	July	August	September	Total
REVENUES:													
Maintenance Assessments	\$0	\$5,743	\$541,142	\$16,347	\$6,586	\$138,141	\$21,222	\$1,598	\$262,451	\$0	\$21,011	\$0	\$1,014,240
Settlement Agreement	\$0	\$0	\$0	\$0	\$0	\$0	\$0	\$0	\$0	\$0	\$259,520	\$152,255	\$411,775
City of Daytona Funding	\$2,025	\$0	\$0	\$0	\$0	\$0	\$0	\$0	\$0	\$0	\$0	\$0	\$2,025
Interest Income	\$331	\$330	\$371	\$461	\$497	\$437	\$468	\$572	\$585	\$557	\$710	\$702	\$6,022
TOTAL REVENUES	\$2,356	\$6,073	\$541,513	\$16,809	\$7,083	\$138,578	\$21,690	\$2,170	\$263,036	\$557	\$281,241	\$152,957	\$1,434,062
EXPENDITURES:													
ADMINISTRATIVE:													
Supervisor Fees	\$0	\$1,000	\$1,000	\$600	\$0	\$800	\$1,000	\$800	\$0	\$800	\$1,000	\$0	\$7,000
FICA Expense	\$0	\$77	\$77	\$46	\$0	\$61	\$77	\$61	\$0	\$61	\$77	\$0	\$536
Engineering	\$0	\$0	\$0	\$0	\$0	\$0	\$0	\$0	\$0	\$0	\$0	\$0	\$0
Attorney	\$1,265	\$1,647	\$178	\$1,937	\$1,457	\$4,262	\$1,318	\$2,258	\$2,209	\$601	\$2,805	\$0	\$19,937
Annual Audit	\$0	\$0	\$0	\$3,500	\$1,400	\$0	\$0	\$0	\$0	\$0	\$0	\$0	\$4,900
Arbitrage	\$0	\$0	\$0	\$0	\$0	\$1,350	\$0	\$0	\$0	\$0	\$0	\$0	\$1,350
Trustee	\$0	\$0	\$0	\$3,717	\$0	\$0	\$0	\$0	\$0	\$0	\$0	\$0	\$3,717
Dissemination Agent	\$250	\$250	\$250	\$250	\$250	\$250	\$250	\$250	\$250	\$250	\$250	\$250	\$3,000
Special Assessment Roll Preparation	\$20,000	\$0	\$0	\$0	\$0	\$0	\$0	\$0	\$0	\$0	\$0	\$0	\$20,000
Management Fees	\$4,708	\$4,708	\$4,708	\$4,708	\$4,708	\$4,708	\$4,708	\$4,708	\$4,708	\$4,708	\$4,708	\$4,708	\$56,500
Information Technology	\$233	\$233	\$233	\$233	\$233	\$233	\$233	\$233	\$233	\$233	\$233	\$233	\$2,800
Telephone	\$28	\$9	\$15	\$32	\$0	\$6	\$0	\$26	\$0	\$37	\$15	\$0	\$170
Postage	\$52	\$88	\$0	\$72	\$0	\$81	\$39	\$98	\$85	\$8	\$295	\$85	\$902
Insurance	\$18,387	\$0	\$0	\$0	\$0	\$0	\$0	\$0	\$0	\$0	\$0	\$0	\$18,387
Printing & Binding	\$55	\$41	\$48	\$1	\$66	\$39	\$106	\$0	\$151	\$134	\$3	\$318	\$962
Legal Advertising	\$211	\$211	\$0	\$512	\$176	\$211	\$0	\$392	\$211	\$1,086	\$0	\$670	\$3,678
Other Current Charges	\$67	\$143	\$63	\$101	\$63	\$58	\$56	\$54	\$54	\$71	\$178	\$50	\$958
Office Supplies	\$23	\$23	\$23	\$0	\$23	\$0	\$23	\$19	\$29	\$23	\$0	\$23	\$207
Dues, Licenses, Subscriptions	\$175	\$0	\$0	\$0	\$0	\$0	\$0	\$0	\$0	\$0	\$0	\$0	\$175
Office Expense	\$500	\$500	\$500	\$500	\$500	\$500	\$500	\$500	\$500	\$500	\$500	\$500	\$6,000
TOTAL ADMINISTRATIVE	\$45,952	\$8,930	\$7,094	\$16,212	\$8,877	\$12,561	\$8,309	\$9,400	\$8,431	\$8,512	\$10,065	\$6,837	\$151,179

INDIGO COMMUNITY DEVELOPMENT DISTRICT

Month to Month Income Statement FY2018

	October	November	December	January	February	March	April	May	June	July	August	September	Total
FIELD:													
Operating Expenses I-95													
Landscape Maintenance	\$4,200	\$4,200	\$4,200	\$4,200	\$4,200	\$4,200	\$4,200	\$4,200	\$4,200	\$4,200	\$5,220	\$4,200	\$51,420
Landscape Contingency	\$0	\$0	\$0	\$0	\$0	\$0	\$0	\$0	\$150	\$675	\$0	\$0	\$825
Irrigation Repairs & Maintenance	\$1,257	\$3,044	\$1,208	\$0	\$968	\$730	\$285	\$0	\$494	\$255	\$0	\$3,875	\$12,116
Mowing	\$0	\$0	\$0	\$0	\$0	\$0	\$0	\$0	\$0	\$0	\$0	\$0	\$0
Lakes	\$370	\$370	\$370	\$728	\$370	\$370	\$370	\$370	\$370	\$728	\$370	\$370	\$5,156
Plant Replacement & Annuals	\$0	\$0	\$0	\$100	\$0	\$0	\$2,825	\$2,485	\$0	\$0	\$0	\$0	\$5,410
Utilities	\$442	\$443	\$0	\$2,080	\$0	\$697	\$490	\$1,034	\$345	\$328	\$0	\$337	\$6,195
Repairs	\$156	\$130	\$191	\$8,116	\$45	\$123	\$121	\$83	\$111	\$45	\$111	\$45	\$9,277
Miscellaneous	\$77	\$91	\$93	\$91	\$91	\$91	\$91	\$91	\$366	\$91	\$182	\$91	\$1,447
OPERATING EXPENSES I-95	\$6,502	\$8,278	\$6,061	\$15,315	\$5,674	\$6,211	\$8,382	\$8,264	\$6,036	\$6,322	\$5,883	\$8,918	\$91,846
Operating Expenses Community Wide													
Site Manager	\$2,650	\$2,650	\$2,650	\$2,650	\$2,650	\$2,650	\$2,650	\$2,650	\$2,650	\$2,650	\$2,650	\$2,650	\$31,800
Landscape Maintenance	\$34,907	\$34,907	\$34,907	\$34,907	\$34,907	\$34,907	\$34,907	\$34,907	\$34,907	\$34,907	\$34,907	\$67,384	\$451,361
Landscape Contingency	\$1,750	\$1,316	\$0	\$450	\$540	\$0	\$2,140	\$0	\$3,450	\$0	\$5,241	\$3,400	\$18,287
Irrigation Repairs & Maintenance	\$3,210	\$3,658	\$1,740	\$4,015	\$330	\$9,361	\$1,804	\$5,941	\$2,281	\$4,352	\$2,042	\$2,944	\$41,678
Lakes	\$3,101	\$3,101	\$3,101	\$3,101	\$3,101	\$3,101	\$3,101	\$3,101	\$3,101	\$3,101	\$3,101	\$3,101	\$37,212
Plant Replacement & Annuals	\$4,656	\$686	\$5,910	\$0	\$6,328	\$4,338	\$0	\$5,608	\$32,477	\$4,365	\$0	\$0	\$64,367
Utilities	\$2,855	\$3,115	\$3,228	\$2,584	\$2,826	\$2,696	\$2,817	\$2,917	\$2,723	\$2,697	\$2,790	\$2,751	\$33,999
Repairs	\$6,503	\$2,294	\$5,043	\$1,589	\$4,686	\$13,799	\$1,272	\$5,449	\$7,068	\$4,091	\$1,827	\$3,137	\$56,759
Stormwater System	\$0	\$0	\$0	\$0	\$0	\$0	\$0	\$0	\$0	\$0	\$0	\$0	\$0
Sidewalks	\$0	\$0	\$0	\$0	\$0	\$0	\$0	\$0	\$0	\$0	\$0	\$0	\$0
Street Lighting	\$0	\$0	\$0	\$0	\$0	\$0	\$0	\$0	\$0	\$0	\$0	\$0	\$0
Miscellaneous	\$652	\$775	\$1,916	\$616	\$616	\$859	\$616	\$2,766	\$991	\$616	\$525	\$1,696	\$12,644
Conservation Easement Maintenance	\$0	\$0	\$5,165	\$0	\$6,287	\$0	\$7,348	\$0	\$8,976	\$6,008	\$2,605	\$0	\$36,389
Tree Trimming	\$3,600	\$3,600	\$3,600	\$3,600	\$3,600	\$3,600	\$3,600	\$3,600	\$3,600	\$3,600	\$3,600	\$3,600	\$43,200
OPERATING EXPENSES COMMUNITY WIDE	\$63,885	\$56,102	\$67,259	\$53,512	\$65,871	\$75,310	\$60,255	\$66,940	\$102,224	\$66,388	\$59,287	\$90,663	\$827,695
TOTAL EXPENDITURES	\$116,339	\$73,310	\$80,414	\$85,039	\$80,421	\$94,082	\$76,946	\$84,603	\$116,691	\$81,222	\$75,235	\$106,418	\$1,070,721
EXCESS REVENUES/ (EXPENDITURES)	(\$113,983)	(\$67,237)	\$461,099	(\$68,230)	(\$73,338)	\$44,496	(\$55,255)	(\$82,433)	\$146,345	(\$80,665)	\$206,006	\$46,539	\$363,341

COURTEAUX ELECTRIC INC.
 85 N YONGE ST
 ORMOND BEACH FL 32174

PROPOSAL

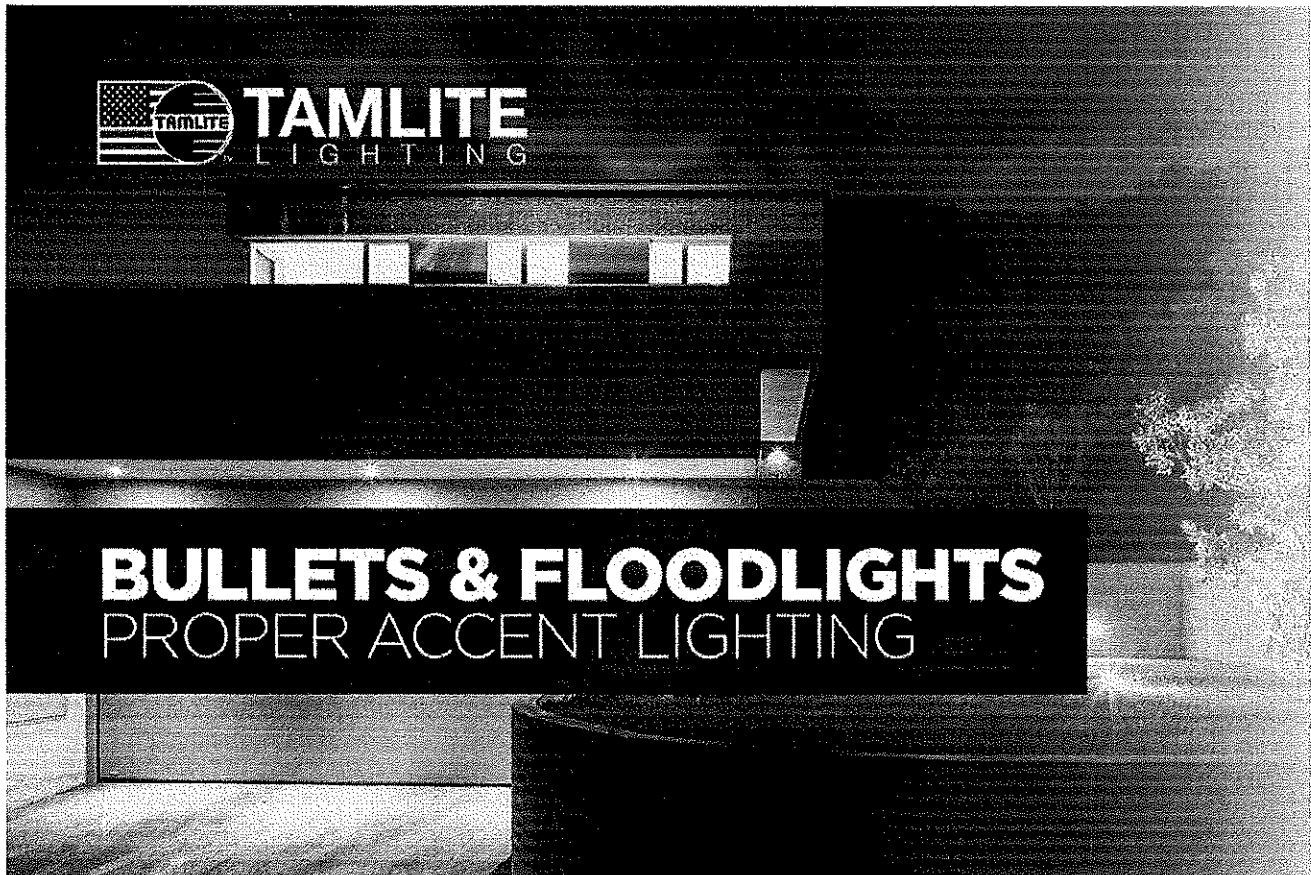
Date	Estimate #
10/2/2018	1856

Phone #	386-672-4900
---------	--------------

Proposal Submitted to:
Indigo Community Development District 1617 Ridgewood Ave., Ste D Daytona Beach, FL 32117

JOB INFO	
LIGHT FIXTURE REPLACEMENT - ENTRANCES	
Customer Phone	
Customer E-mail	kurt@solarismgt.com

Description	Total
LPGA fixture replacement, (front and back of walls) around Fountains 1,2,3 & 4.	
#1	
3. - 50 watt	
2. - 30 watt	
10 - 15 watt	
30 - 28 watt tree lights. \$5,359.00	
#2	
3. - 50 watt	
2. - 30 watt	
10 - 15 watt	
30 - 28 watt tree lights. \$5,359.00	
#3	
4 - 30 watt	
5 - 15 watt	
18 - 28 watt tree lights. \$3,175.50	
#4	
4 - 30 watt	
4 - 15 watt	
23 - 28 watt tree lights. \$3,790.25	
10 - Spare bullet lights. \$998.00	
Miscellaneous material. Weather proof Boxes. Weather proof switch covers. Weather proof bubble covers. PVC, Caps, GFCI, screws, nuts. \$815.00	
NINETEEN THOUSAND FOUR HUNDRED NINETY SIX DOLLARS AND TWENTY FIVE CENTS	19,496.25
Possible unforeseen required repairs and parts will be pre-approved with ICDD management This is a possibility due to the age of the equipment and underground wiring	
Total	\$19,496.25



BULLETS & FLOODLIGHTS UNDERSTANDING THE DIFFERENCES

📅 Fri Nov 10, 2017

When looking for fixtures to build an outdoor lighting landscape, the big terms you'll come across most often are floodlights and bullets (or spotlights). While both of these lights fulfill the same general purpose, they behave much differently. Using each version is important when designing a high-quality outdoor space.

DIFFERENCE IN BEAM SPREAD

The most basic difference between the two are their beam spreads. Bullets like the TABFL from TamLite Lighting (<http://tamliteusa.com/index.php?v=det&rid=1333>) have very tight beam angles, usually below 30°. This narrow angle allows the light to be more focused on a specific object. Since the light trespass can be controlled, bullets and spotlights are often used to light things like statues, fountains, or trees.

Floodlights like the TATFLL (<http://tamliteusa.com/index.php?v=det&rid=1019>) use much wider beam angles, generally 100° or more. This wide angle projects light more evenly over a much larger area. Floodlights can be used more for general lighting, such as illuminating a patio or parking area.

USING BULLETS & FLOODLIGHTS TOGETHER

A common application for bullets and floodlights are outdoor landscapes. By using both varieties, a designer can create both accents and general illumination. For example, using bullets or spotlights to accent trees or other plants will create a focal point. And then use floodlights to illuminate general areas, such as a patio.

Using a combination of both bullet fixtures and floodlights will create beautiful and elegant outdoor lighting. All the fixtures mentioned are available from Tamlite Lighting (<http://tamliteusa.com/index.php>) or by visiting your local City Electric Supply. (<https://cityelectricsupply.com/branchlocator.aspx>)

RELATED ARTICLES

[How LED Filament Bulbs Work \(Newsletter/Did-You-Know/How-Led-Filament-Bulbs-Work\)](#)

[UL Listed Conduit \(Newsletter/Did-You-Know/UI-Listed-Conduit\)](#)

[Commercial Ready Fixtures... \(Newsletter/Did-You-Know/Commercial-Ready-Fixtures-At-Residential-Fixture-Prices\)](#)

[What Is The ISO 17025 Accreditation \(Newsletter/Did-You-Know/What-Is-The-Iso-17025-Accreditation\)](#)

[TAMCO At The 2018 North American... \(Newsletter/Did-You-Know/Preview-Of-The-2018-North-American-Managers-Conference\)](#)

[Copper Compression Butt Splices \(Newsletter/Did-You-Know/Copper-Compression-Butt-Splices\)](#)

[LED Retrofits And Return On... \(Newsletter/Did-You-Know/Led-Retrofits-And-Return-On-Investment\)](#)

[Surface-Mount OR Recessed... \(Newsletter/Did-You-Know/Surface-Mount-Or-Recessed-Cans\)](#)

[What Are Firestopping Devices? \(Newsletter/Did-You-Know/What-Are-Firestopping-Devices\)](#)

[Parabolic Troffers \(Newsletter/Did-You-Know/Parabolic-Troffers\)](#)

RECENT ARTICLES

[Understanding Indirect Lighting \(Newsletter/For-Your-Info/Understanding-Indirect-Lighting\)](#)

[How LED Filament Bulbs Work \(Newsletter/Did-You-Know/How-Led-Filament-Bulbs-Work\)](#)

[Different Types Of Tapes \(Newsletter/For-Your-Info/Different-Types-Of-Tapes\)](#)

[UL Listed Conduit \(Newsletter/Did-You-Know/UI-Listed-Conduit\)](#)

[What Are Tariffs? \(Newsletter/For-Your-Info/What-Are-Tariffs\)](#)

The TAMCO logo is displayed in a bold, black, sans-serif font. The letters are thick and closely spaced, with a slight shadow effect behind them.

**CHECK OUT THE ONLINE
RESOURCE LIBRARY**

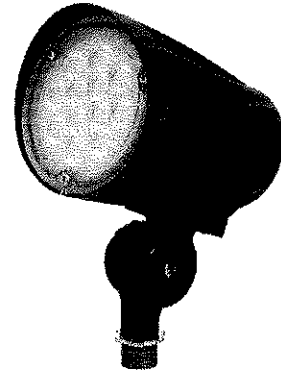
FIND CATALOGS, BROCHURES,
FLYERS AND MORE



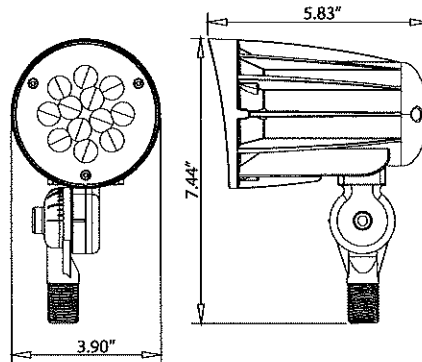
MODEL : TABFL5028BZK		TYPE
PROJECT : LPGA ENTRANCE		
PREPARED BY : CES DAYTONA	DATE :	

SERIES SPECIFICATIONS **TABFL SERIES**

The TABFL bullet flood offers a knuckle mounting system & a 30 degree beam for your lighting applications. Add this fixture to your landscape range for a clean discreet look.



LINE DRAWING



CONSTRUCTION

Housing
Die Cast Aluminum

Lens
High transmission Polycarbonate

Finish
Bronze Powdercoat

ELECTRICAL SPECIFICATIONS

Input Voltage
100-277VAC

Drive Current
0.35A MAX

Input Power
28W

Power Factor
> 0.9



APPLICATION AND PERFORMANCE SPECIFICATION INFORMATION IS SUBJECT TO CHANGE WITHOUT NOTIFICATION

660 NW PEACOCK BLVD. | PORT ST. LUCIE, FL 34986 | TEL: 772.879.0178 | TAMLITEUSA.COM



MODEL : TABFL5028BZK		TYPE
PROJECT : LPGA ENTRANCE		
PREPARED BY : CES DAYTONA	DATE :	

ELECTRICAL SPECIFICATIONS CONT.

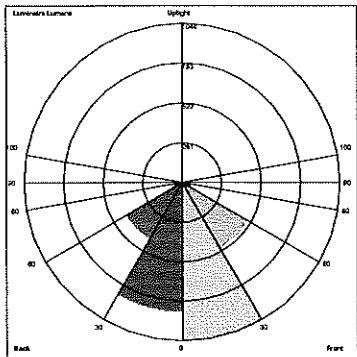
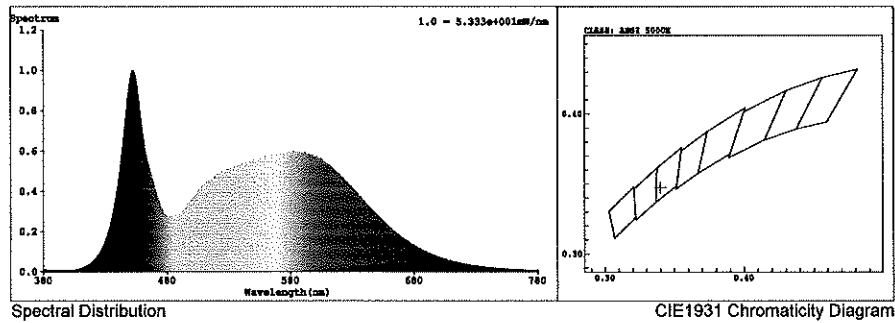
THD < 20%	Efficacy 114 Lm/W	Color Temp 5000K
Frequency 50/60Hz	CRI > 80	Beam Angle 30°
Duv 0.0024	Lumens 2900+ Lm	

Mounting

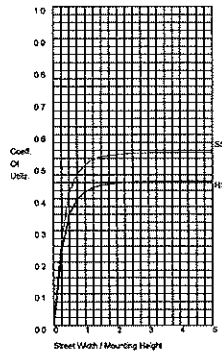
Adjustable two piece 1/2" threaded knuckle mount

PERFORMANCE SPECIFICATIONS

SPECTRAL POWER DISTRIBUTION & CHROMATICITY DIAGRAM



BUG REPORT
 TAMLITE LIGHTING Amenity
 TABFL5028BZK
 Luminaire Lumens:
 Front:
 Low=1044.1, Medium=490.2,
 High=61.2, Very High=2.9
 Back:
 Low=850.9, Medium=422.8,
 High=59.8, Very High=3.3
 Uplight:
 Low=0.2, High=2.1
 BUG Rating : B2-U1-G0



	LUMENS	PERCENT OF LAMP
DOWNWARD STREET SIDE	1598.5	54.4
DOWNWARD HOUSE SIDE	1336.8	45.5
DOWNWARD TOTAL	2935.3	99.9
UPWARD STREET SIDE	1	0
UPWARD HOUSE SIDE	1.2	0
UPWARD TOTAL	2.2	0.1
TOTAL FLUX	2937.5	100

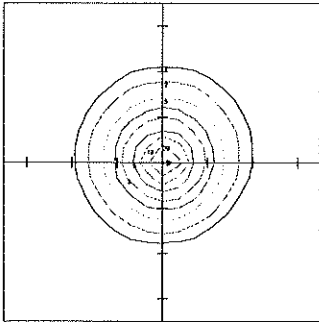


APPLICATION AND PERFORMANCE SPECIFICATION INFORMATION IS SUBJECT TO CHANGE WITHOUT NOTIFICATION

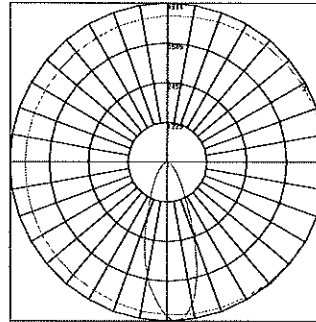


MODEL : TABFL5028BZK		TYPE
PROJECT : LPGA ENTRANCE		
PREPARED BY : CES DAYTONA	DATE :	

PHOTOMETRIC ISOLINES



TAMLITE LIGHTING Amenity
 TABFL5028BZK
 Horizontal Footcandles
 Light Loss Factor = 1
 Lumens Per Lamp = N.A.
 Lumens = 2937.5
 Mounting Height = 10 Ft
 Maximum Calculated Value = 47.7 Fc
 Arrangement: Single



Polar Graph
 Maximum Candela = 4914.3 Located
 at Horizontal Angle = 340
 Vertical Angle = 3.5
 Vertical Plane Through Horizontal
 Angles
 (340 - 160)
 Horizontal Cone Through Vertical
 Angle
 (3.5)

CERTIFICATIONS/WARRANTY

Listing
 UL Listed

Location Rating:
 Suitable for Wet locations

Warranty

Guaranteed for five years from the purchase date of the product, against mechanical defects in manufacturing.

DLC Listing

This product is on the Design Lights Consortium (DLC) Qualified Products List and is eligible for rebates from DLC Member Utilities.

ORDERING INFORMATION

Sample Part Number: TABFL5028BZK

TABFL		28	K
SERIES	COLOR TEMP	WATTAGE	MOUNTING
TABFL	[30] : 3000K	[28] : 28 Watts	[K] : 1/2" Knuckle
	[50] : 5000K		

NOTES

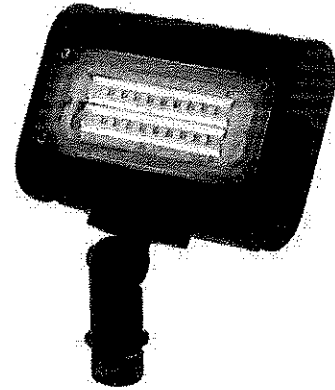
*Not all product variations meet Design Light Consortium Qualifications. Please verify that the product is listed on the DLC products lists at www.designlightconsortium.org/QPL



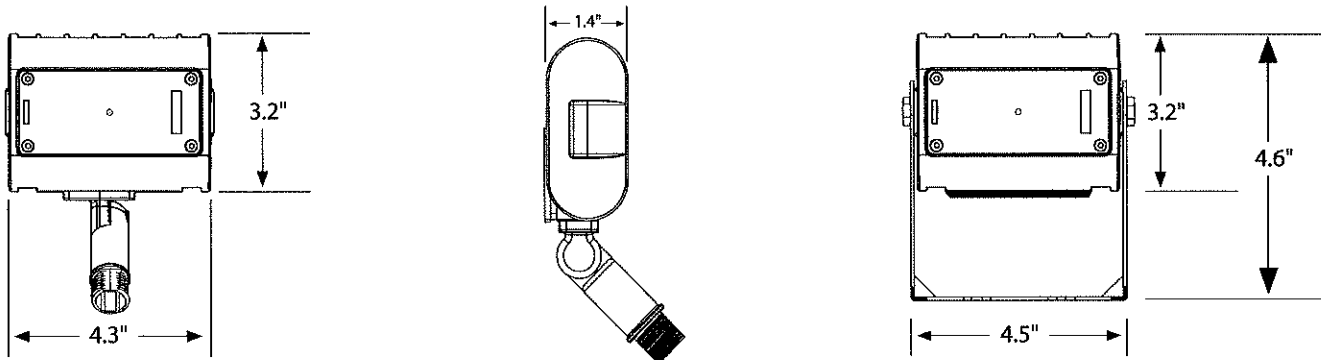
MODEL : TABFL5028BZK		TYPE
PROJECT : LPGA ENTRANCE		
PREPARED BY : CES DAYTONA	DATE :	

SERIES SPECIFICATIONS

The TATFLL floodlight is a versatile unit with multiple mounting options that satisfy many of your lighting applications. The TATFLL can be adjusted to almost any position to direct the light where needed.



LINE DRAWING



CONSTRUCTION

Housing
 Die cast aluminum housing, with a finned heat sink designed to dissipate heat efficiently.

Finish
 Durable bronze powder coat paint.

Thermal Management
 Raised stand-offs provide even heat dissipation; requires no additional heat sinking

Ambient Temperature
 -35°C (-31°F) -50°C (122°F)

PHYSICAL SPECIFICATIONS

Color
 Bronze

Lens Type
 Clear Pattern

Lens Material
 Polycarbonate Lens



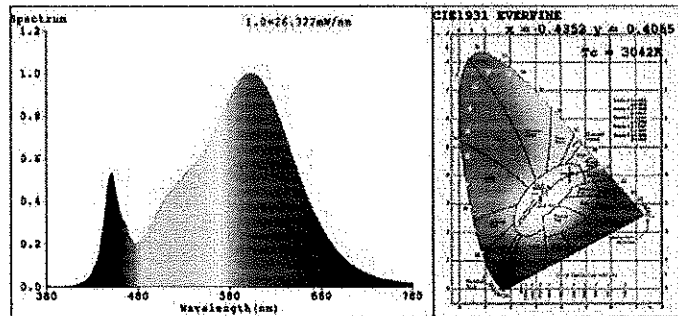
MODEL : TABFL5028BZK		TYPE
PROJECT : LPGA ENTRANCE		
PREPARED BY : CES DAYTONA	DATE :	

ELECTRICAL SPECIFICATIONS

Input Voltage 100-277VAC	Efficacy 96 LM/W	LED Efficacy 120 LM/W
Frequency 50/60Hz	CRI > 80	Color Temp 5000K
Input Current 0.18A MAX	Beam Angle 100.6°	LED Lifespan 50,000 HRS
Input Wattage 15W	Output Voltage 40-60V DC	Operating Temp -20°C- +40°C
Power Factor >0.90	Output Current 0.25A	Grounding Resistance <=0.5Ω, OK
Lumens 1467 LUMENS	Driver Efficiency 88%	

PERFORMANCE SPECIFICATIONS*

SPECTRAL POWER DISTRIBUTION & CHROMATICITY DIAGRAM



LUMENS PER ZONE

ZONE	LUMEN	TOTAL %	ZONE	LUMENS	TOTAL %
0-10	54.5	3.7%	90-100	0.0	0%
10-20	162.0	11.0%	100-110	0	0%
20-30	253.4	17.3%	110-120	0.0	0%
30-40	301.2	20.5%	120-130	0.0	0%
40-50	288.1	19.6%	130-140	0.0	0%
50-60	225.7	15.4%	140-150	0.0	0%
60-70	126.7	8.6%	150-160	0.0	0%
70-80	47.3	3.2%	160-170	0.0	0%
80-90	8.7	0.6%	170-180	0.0	0%

ZONAL LUMEN SUMMARY

ZONE	LUMEN	LAMP %	LUMINAIRE %
0-30	469.9	32%	32%
0-40	771.1	52.5%	52.5%
0-60	1,284.9	87.5%	87.5%
60-90	182.7	12.4%	12.4%
70-100	56.0	3.8%	3.8%
90-120	0.0	0%	0%
0-90	1,467.6	100%	100%
90-180	0.1	0%	0%
0-180	1,467.6	100%	100%



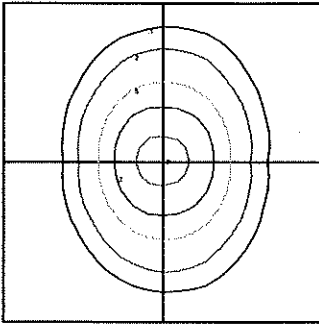
APPLICATION AND PERFORMANCE SPECIFICATION INFORMATION IS SUBJECT TO CHANGE WITHOUT NOTIFICATION

660 NW PEACOCK BLVD. | PORT ST. LUCIE, FL 34986 | TEL: 772.879.0178 | TAMLITEUSA.COM

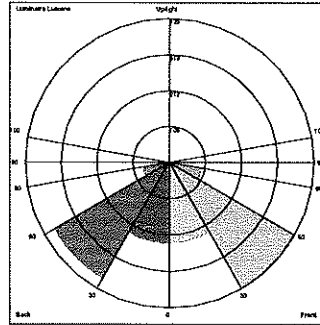


MODEL : TABFL5028BZK		TYPE
PROJECT : LPGA ENTRANCE		
PREPARED BY : CES DAYTONA	DATE :	

PHOTOMETRIC ISOLINES



TAMLITE LIGHTING AMENITY
 TATFLL5015BZ
 Horizontal Footcandles
 Scale: 1 Inch = 10 Ft.
 Light Loss Factor = 1.00
 Lumens Per Lamp = 1467.8
 Total Lamp Lumens = 1467.8
 Mounting Height = 15.00 Ft
 Maximum Calculated Value = 2.52 Fc
 Arrangement: Single



LUMINAIRE LUMENS:
 TATFLL5015BZ
 Front: Low=234.0, Medium=425.0,
 High=96.3, Very High=5.5
 Back: Low=235.9, Medium=390.2,
 High=77.7, Very High=3.1
 Uplight: Low=0.0, High=0.0
 Bug Rating: B1-U1-G0

CERTIFICATIONS/WARRANTY

Listing
 UL Listed

Location Rating:
 Suitable for wet locations

Warranty
 Guaranteed for five years from the purchase date of the product, against mechanical defects in manufacturing.

DLC Listing
 This product is on the Design Lights Consortium (DLC) Qualified Products List and is eligible for rebates from DLC Member Utilities.**

Qualifications
 IP65 Rated

ORDERING INFORMATION

Sample Part Number: TATFLL5015BZ

Carton Dimensions: (YOKE) 5.9" X 6.3" X 1.9"
 (KNUCKLE) 5.5" X 6.2" X 1.9"

Case Dimensions: (YOKE) 18.3" X 6.6" X 14.3"
 (KNUCKLE) 17.1" X 6.6" X 13.1"

Case Quantity: 18 PCS

TATFLL5015		15		
SERIES	COLOR TEMP	LAMP WATTAGE	FINISH	MOUNTING
TATFLL5015	[30] : 3000K	[15] : 15 WATTS	[BZ] : BRONZE	[BLANK] : YOKE MOUNT***
	[50] : 5000K		[WH] : WHITE	[K] : 1/2" KNUCKLE MOUNT

NOTES

*Performance specifications based off 5000K version.

**Not all product variations meet Design Light Consortium Qualifications. Please verify that the product is listed on the DLC products lists at www.designlightconsortium.org/QPL

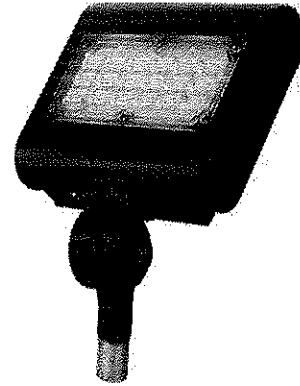
***Only available on 5000K version



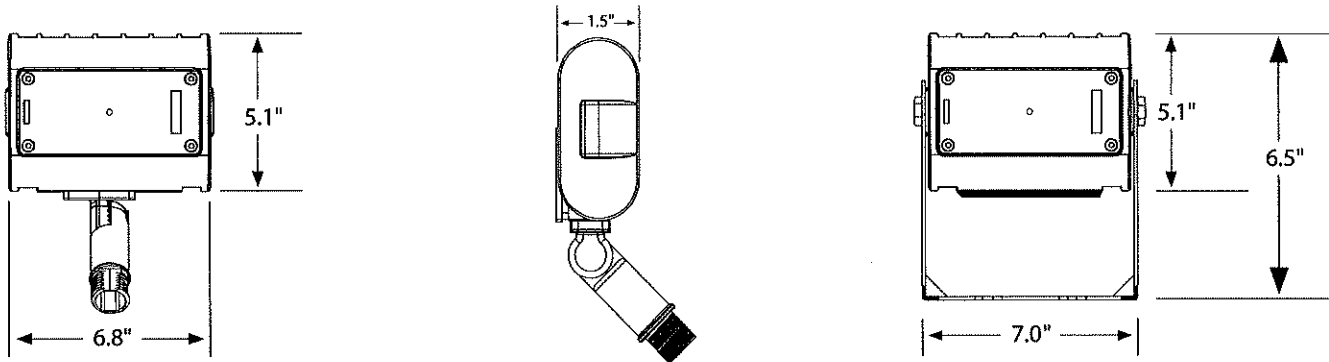
MODEL : TABFL5028BZK		TYPE
PROJECT : LPG A ENTRANCE		
PREPARED BY : CES DAYTONA	DATE :	

SERIES SPECIFICATIONS

The TATFLL floodlight is a versatile unit with multiple mounting options that satisfy many of your lighting applications. The TATFLL can be adjusted to almost any position to direct the light where needed.



LINE DRAWING



CONSTRUCTION

Housing
 Die cast aluminum housing, with a finned heat sink designed to dissipate heat efficiently.

Finish
 Durable bronze powder coat paint.

Thermal Management
 Raised stand-offs provide even heat dissipation; requires no additional heat sinking

Ambient Temperature
 -35°C (-31°F) -50°C (122°F)

PHYSICAL SPECIFICATIONS

Color
 Bronze

Lens Type
 Clear Pattern

Lens Material
 Polycarbonate Lens



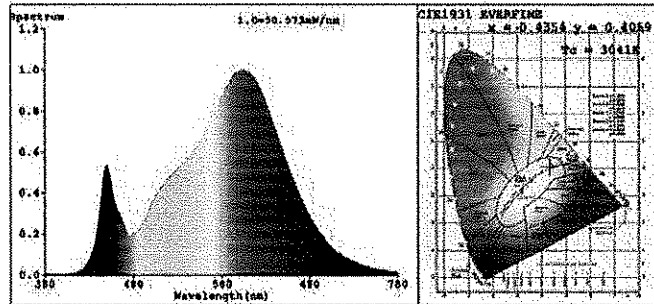
MODEL : TABFL5028BZK		TYPE
PROJECT : LPG A ENTRANCE		
PREPARED BY : CES DAYTONA	DATE :	

ELECTRICAL SPECIFICATIONS

Input Voltage 100-277VAC	Efficacy 98.8 LM/W	LED Efficacy 120 LM/W
Frequency 50/60Hz	CRI > 80	Color Temp 5000K
Input Current 0.35A MAX	Beam Angle 100.6°	LED Lifespan 50,000 HRS
Input Wattage 29.5W	Output Voltage 36-60V DC	Operating Temp -20°C- +40°C
Power Factor ≥ 0.90	Output Current 0.5A	Grounding Resistance ≤0.5Ω, OK
Lumens 2899 LUMENS	Driver Efficiency 88%	

PERFORMANCE SPECIFICATIONS*

SPECTRAL POWER DISTRIBUTION & CHROMATICITY DIAGRAM



LUMENS PER ZONE

ZONE	LUMEN	TOTAL %	ZONE	LUMENS	TOTAL %
0-10	109.0	3.8%	90-100	0.6	0%
10-20	306.0	10.6%	100-110	0.0	0%
20-30	456.2	15.7%	110-120	0.2	0%
30-40	544.0	18.8%	120-130	0.2	0%
40-50	544.6	18.8%	130-140	0.3	0%
50-60	455.8	15.7%	140-150	0.3	0%
60-70	303.2	10.5%	150-160	0.3	0%
70-80	144.2	5.0%	160-170	0.3	0%
80-90	33.3	1.1%	170-180	0.1	0%

ZONAL LUMEN SUMMARY

ZONE	LUMEN	LAMP %	LUMINAIRE %
0-30	871.3	30.1%	30.1%
0-40	1,415.3	48.8%	48.8%
0-60	2,415.6	83.3%	83.3%
60-90	480.6	16.6%	16.6%
70-100	178.1	6.1%	6.1%
90-120	0.8	0%	0%
0-90	2,896.3	99.9%	99.9%
90-180	2.4	0.1%	0.1%
0-180	2,898.7	100%	100%



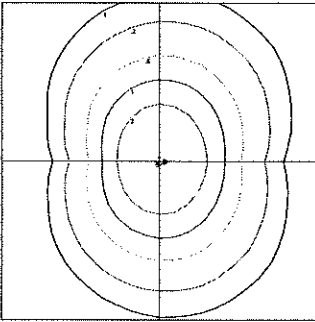
APPLICATION AND PERFORMANCE SPECIFICATION INFORMATION IS SUBJECT TO CHANGE WITHOUT NOTIFICATION

660 NW PEACOCK BLVD. | PORT ST. LUCIE, FL 34986 | TEL: 772.879.0178 | TAMLITEUSA.COM

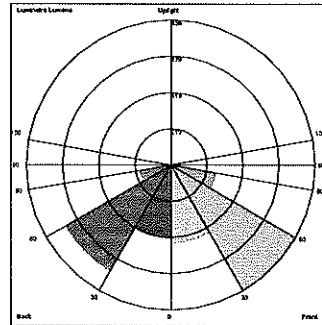


MODEL : TABFL5028BZK		TYPE
PROJECT : LPGA ENTRANCE		
PREPARED BY : CES DAYTONA	DATE :	

PHOTOMETRIC ISOLINES



TAMLITE LIGHTING AMENITY
 TATFL5030BZ
 Horizontal Footcandles
 Scale: 1 Inch = 10 Ft.
 Light Loss Factor = 1.00
 Lumens Per Lamp = 2899.1
 Total Lamp Lumens = 2899.1
 Mounting Height = 15.00 Ft
 Maximum Calculated Value = 5.17 Fc
 Arrangement: Single



LUMINAIRE LUMENS:
 TATFL5030BZ
 Front: Low=447.9, Medium=838.6,
 High=264.7, Very High=24.2
 Back: Low=423.4, Medium=706.1,
 High=182.7, Very High=9.1
 Uplight: Low=0.6, High=1.8
 Bug Rating: B1-U1-G1

CERTIFICATIONS/WARRANTY

Listing
 UL Listed

Location Rating:
 Suitable for wet locations

Warranty
 Guaranteed for five years from the purchase date of the product, against mechanical defects in manufacturing.

DLC Listing
 This product is on the Design Lights Consortium (DLC) Qualified Products List and is eligible for rebates from DLC Member Utilities.**

Qualifications
 IP65 Rated

ORDERING INFORMATION

Sample Part Number: TATFL5030

Carton Dimensions: (YOKE) 7.6" X 8.4" X 2.1"
 (KNUCKLE) 7.0" X 9.2" X 2.1"

Case Dimensions: (YOKE) 15.9" X 9.2" X 11.6"
 (KNUCKLE) 14.7" X 10.0" X 11.6"

Case Quantity: 10 PCS

TATFL5030		30		
SERIES	COLOR TEMP	LAMP WATTAGE	FINISH	MOUNTING
TATFL5030	[30] : 3000K	[30] : 30 WATTS	[BZ] : BRONZE	[BLANK] : YOKE MOUNT***
	[50] : 5000K		[WH] : WHITE	[K] : 1/2" KNUCKLE MOUNT

NOTES

*Performance specifications based off 5000K version.

**Not all product variations meet Design Light Consortium Qualifications. Please verify that the product is listed on the DLC products lists at www.designlightconsortium.org/QPL

***Only available on 5000K version



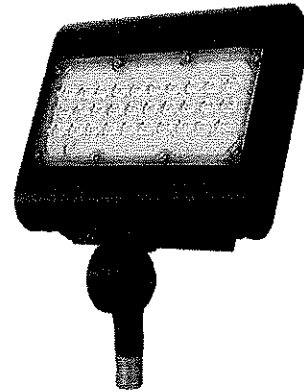
APPLICATION AND PERFORMANCE SPECIFICATION INFORMATION IS SUBJECT TO CHANGE WITHOUT NOTIFICATION

660 NW PEACOCK BLVD. | PORT ST. LUCIE, FL 34986 | TEL: 772.879.0178 | TAMLITEUSA.COM

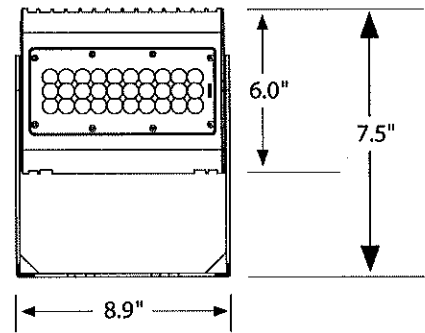
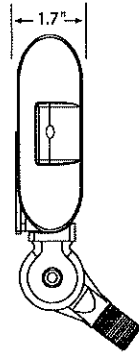
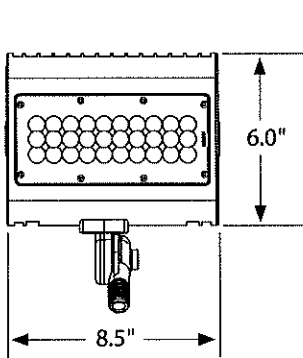
MODEL : TABFL5028BZK		TYPE
PROJECT : LPGA ENTRANCE		
PREPARED BY : CES DAYTONA	DATE :	

SERIES SPECIFICATIONS

The TATFLL floodlight is a versatile unit with multiple mounting options that satisfy many of your lighting applications. The TATFLL can be adjusted to almost any position to direct the light where needed.



LINE DRAWING



CONSTRUCTION

Housing
 Die cast aluminum housing, with a finned heat sink designed to dissipate heat efficiently.

Finish
 Durable bronze powder coat paint.

Thermal Management
 Raised stand-offs provide even heat dissipation; requires no additional heat sinking

Ambient Temperature
 -35°C (-31°F) -50°C (122°F)

PHYSICAL SPECIFICATIONS

Color
 Bronze

Lens Type
 Clear Pattern

Lens Material
 Polycarbonate Lens



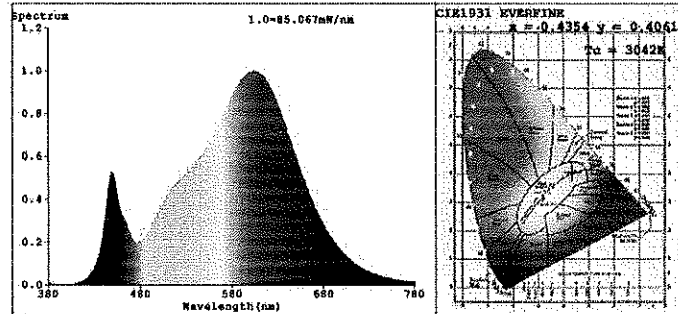
MODEL : TABFL5028BZK		TYPE
PROJECT : LPG A ENTRANCE		
PREPARED BY : CES DAYTONA	DATE :	

ELECTRICAL SPECIFICATIONS

Input Voltage 100-277VAC	Efficacy 102.1 LM/W	LED Efficacy 120 LM/W
Frequency 50/60Hz	CRI > 80	Color Temp 5000K
Input Current 0.6A MAX	Beam Angle 100.6°	LED Lifespan 50,000 HRS
Input Wattage 48.1W	Output Voltage 40-66V DC	Operating Temp -20°C- +40°C
Power Factor ≥ 0.90	Output Current 0.75A	Grounding Resistance ≤ 0.5Ω, OK
Lumens 4905 LUMENS	Driver Efficiency 88%	

PERFORMANCE SPECIFICATIONS

SPECTRAL POWER DISTRIBUTION & CHROMATICITY DIAGRAM



LUMENS PER ZONE

ZONE	LUMEN	TOTAL %	ZONE	LUMENS	TOTAL %
0-10	167.6	3.4%	90-100	1.2	0%
10-20	450.2	9.2%	100-110	0.2	0%
20-30	660.7	13.5%	110-120	0.7	0%
30-40	856.7	17.5%	120-130	0.9	0%
40-50	951.1	19.4%	130-140	1.1	0%
50-60	881.2	18.0%	140-150	1.0	0%
60-70	565.2	11.5%	150-160	0.9	0%
70-80	267.1	5.4%	160-170	0.6	0%
80-90	99.4	2.0%	170-180	0.2	0%

ZONAL LUMEN SUMMARY

ZONE	LUMEN	LAMP %	LUMINAIRE %
0-30	1,278.6	26.1%	26.1%
0-40	2,135.3	43.5%	43.5%
0-60	3,967.5	80.9%	80.9%
60-90	931.6	19%	19%
70-100	367.7	7.5%	7.5%
90-120	2.1	0%	0%
0-90	4,899.2	99.9%	99.9%
90-180	6.8	0.1%	0.1%
0-180	4,905.9	100%	100%

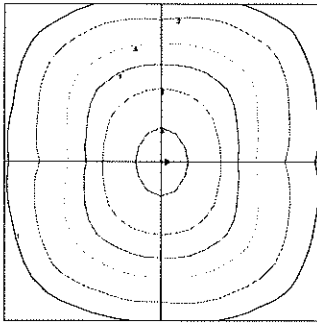


APPLICATION AND PERFORMANCE SPECIFICATION INFORMATION IS SUBJECT TO CHANGE WITHOUT NOTIFICATION

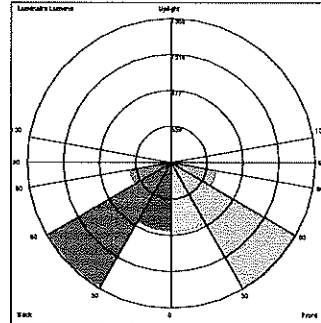


MODEL : TABFL5028BZK		TYPE
PROJECT : LPGA ENTRANCE		
PREPARED BY : CES DAYTONA	DATE :	

PHOTOMETRIC ISOLINES



TAMLITE LIGHTING AMENITY
 TATFLL5050BZ
 Horizontal Footcandles
 Scale: 1 Inch = 10 Ft.
 Light Loss Factor = 1.00
 Lumens Per Lamp = 4906.5
 Total Lamp Lumens = 4906.5
 Mounting Height = 15.00 Ft
 Maximum Calculated Value = 7.98 Fc
 Arrangement: Single



LUMINAIRE LUMENS:
 TATFLL5050BZ
 Front:Low=645.8,Medium=1354.5,
 High=432.6, Very High=53.3
 Back:Low=632.8,Medium=1334.9,
 High=399.6, Very High=46.1
 Uplight: Low=1.2, High=5.6
 Bug Rating: B2-U1-G1

CERTIFICATIONS/WARRANTY

Listing
 UL Listed

Location Rating:
 Suitable for wet locations

Warranty
 Guaranteed for five years from the purchase date of the product, against mechanical defects in manufacturing.

DLC Listing
 This product is on the Design Lights Consortium (DLC) Qualified Products List and is eligible for rebates from DLC Member Utilities.

Qualifications
 IP65 Rated

ORDERING INFORMATION

Part Number: TATFLL5050

Carton Dimensions: (YOKE) 9.6" X 9.4" X 2.3"
 (KNUCKLE) 9.0" X 10.2" X 2.3"

Case Dimensions: (YOKE) 14.9" X 10.2" X 10.2"
 (KNUCKLE) 14.7" X 9.6" X 11.0"

Case Quantity: 6 PCS

TATFLL		50		
SERIES	COLOR TEMP	LAMP WATTAGE	FINISH	MOUNTING
TATFLL	[50] 5000K	[50]: 50 WATTS	[BZ]: BRONZE	[BLANK]: YOKE MOUNT
			[WH]: WHITE	[K]: 1/2" KNUCKLE MOUNT

NOTES

*Not all product variations meet Design Light Consortium Qualifications. Please verify that the product is listed on the DLC products lists at www.design-lightconsortium.org/QPL

